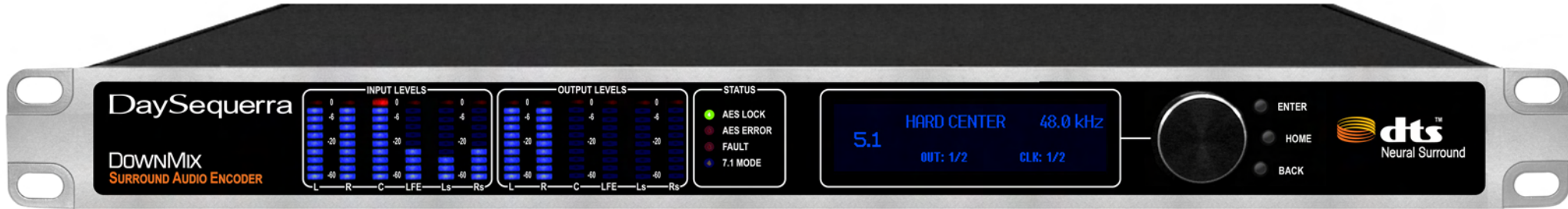


## DownMix Quick Start Guide



This guide offers the quickest way to install and begin using your new [DownMix Surround Audio Encoder](#). While DownMix's default settings are found to work in most applications, please read through the documentation to ensure you are getting the best experience from DownMix. The full owner's manual may be downloaded off our website at [www.daysequerra.com](http://www.daysequerra.com). While you are there, please take a few moments to complete the warranty registration form.

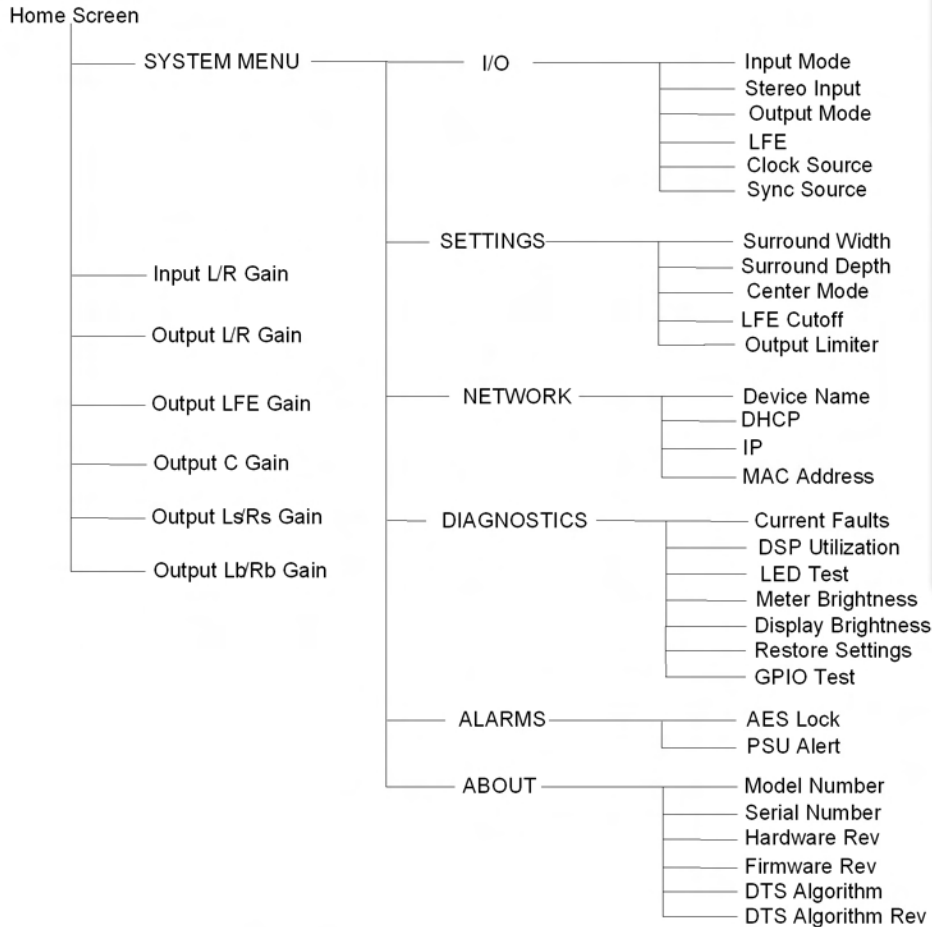
1. Mount the unit into your rack or place on a stable surface.
2. Connect your BNC AES input cables and output cables.
3. Connect DownMix to a power source with the supplied cables. DownMix will automatically power up when AC power is applied.
4. Rotate the knob to enter the menu. Press ENTER to select SYSTEM MENU. Press ENTER to select I/O.
5. Define input mode. The default setting is STEREO. Other input options may be selected based upon your configuration. Press ENTER and scroll the wheel to see available choices. Press ENTER to confirm a selected choice.
6. Define output mode. The default setting is 5.1. Other output options may be selected based upon your configuration. Scroll the wheel two clicks to select OUTPUT MODE, and then press ENTER to make your choice.
7. Define your clock source. The default setting is AES input 1/2. Other options may be selected based upon your configuration – select EXTERNAL if you are using the AES SYNC ports, or select INTERNAL if you wish to use UpMix's internal clock.
8. Press HOME to return to the home screen. If errors are displayed, consult your user's manual for further details.

### Front Panel Features

- **INPUT LEVELS:** Displays audio level of the inbound audio stream.
- **OUTPUT LEVELS:** Displays audio level of the up mixed audio stream.
- **AES LOCK:** Green LED illuminates when a valid AES3 digital input signal has been acquired.
- **AES ERROR:** Red LED illuminates when the AES3 digital input signal is lost or received corrupted.
- **FAULT:** Red LED illuminates when a fault has been discovered.
- **7.1 MODE:** Blue LED indicates when operating in 7.1 channel input mode.
- **VACUUM FLORESCENT DISPLAY:** Displays current operating status of the unit and programming menus.
- **SELECTION KNOB:** Used to select values while in the menu system.
- **ENTER KEY:** Used to enter a menu or confirm a selection.
- **HOME KEY:** Will return you to the home screen.
- **BACK KEY:** Will return you to a previous menu.

## DownMix Quick Start Guide

### Menu Tree



### Rear Panel Features

- **AES INPUTS:** Three 75Ω BNC connectors will accept an AES3 digital audio stream.
- **AES OUTPUTS:** Four 75Ω BNC connectors output the up mixed AES3 digital audio stream.
- **AES SYNC:** Two 75Ω BNC connectors that allow DownMix to receive an AES REF or DARS clock signal from an external source and pass it on to other devices in the same stack.
- **GPIO:** A Female DB-9 connection that allows DownMix to be monitored or controlled externally. Opto-isolated inputs will be triggered by a voltage of 5VDC.

- |                        |                       |
|------------------------|-----------------------|
| 1 Output Relay 1 N.O.  | 6 Output Relay 2 N.O. |
| 2 Relay 1 Common       | 7 Relay 2 Common      |
| 3 Optical Input 0      | 8 Optical Input 2     |
| 4 Optical Input 1      | 9 Optical Input 3     |
| 5 Optical Input Common |                       |

- **NETWORK:** Used to update DownMix's firmware.

